



MATERIAL HANDLING STAND

Designed, tested, and certified by Skyjack

The material handling stand is a Skyjack manufacture approved multi-purpose attachment. It has the ability to be used as a pipe rack for large duct pipes and other pipe/conduit. It also features a fold down cradle and extendable arms to be used as a sheet stand for boards and/or panels — ideal for cladding applications. Designed for Skyjack's full size rough terrain scissors, the material handling stand gives a safe, secure, and productive solution for transportation and material installation.

MATERIAL HANDLING STAND

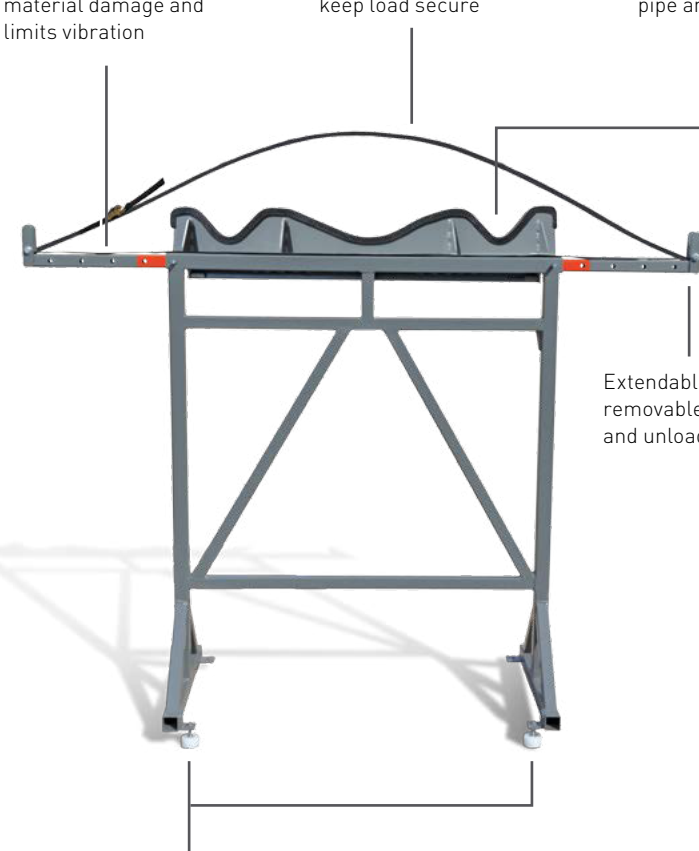
KEY FEATURES

Neoprene strip prevents material damage and limits vibration

Durable nylon straps to keep load secure

Foldable cradle accommodates both pipe and cladding applications

Extendable, rotatable and removable arms for loading and unloading wide panels



Rubber pucks allow the extension deck to extend or retract with the device installed on fixed end on extension deck platform and rubber pucks on main deck

Cladding shown on SJ9250 RT

Model	SJ8831 RT	SJ8841 RT	SJ9241 RT	SJ9250 RT
Rated work load on material handling stand per pair on stand	320 kg	320 kg	390 kg	390 kg
Platform total capacity including load on material handling stand	560 kg 2 Persons	560 kg 2 Persons	630 kg 2 Persons	630 kg 2 Persons
Max wind speed	12,5 m/s	12,5 m/s	12,5 m/s	12,5 m/s

Pipe/panel length cannot exceed 6 m and must be positioned symmetrically

Please note: Standard lead times may be increased when optional equipment is added, consult factory. Capacities and machine weights may differ when options are added.



Glasgow

Tel: 0169 867 8050

Email: glasgow@summitplatforms.co.uk

Newcastle

Tel: 0191 607 0909

Email: newcastle@summitplatforms.co.uk

Birmingham

Tel: 0121 227 4433

Email: birmingham@summitplatforms.co.uk

Bristol

Tel: 0117 332 6640

Email: bristol@summitplatforms.co.uk

Portsmouth

Tel: 023 9200 6577

Email: portsmouth@summitplatforms.co.uk

www.summitplatforms.co.uk